

# H3EA Element SST

19.3" x 22.3" x 7.6"  
(49.0cm x 56.6cm x 19.3cm)



- Push and hold dispense
- LED display provides simple temperature adjustment
- Thinsulate® tank insulation provides increased energy efficiency
- Digital thermostat provides consistent and accurate temperatures of 15.6-96C (Deg) (60-205F MAX)
- New contemporary, space saving design
- Matching Blue LED dispense button
- Programmable "Energy Saver Mode" reduces operating costs during idle periods
- Cup clearance: 7.75in (196mm)

 Servers and airpots sold separately

Agency:



## Specifications

**Product #:** 45300.0000

**Dispense:** Push Button

**Water Access:** Plumbed

**Finish:** Stainless

**Temp. Setting:** 200°F (93.333°C)

**Dispense:** Portion Control

## Additional Features

## Electrical & Capacity

Volts	Amps	Watts	Cord Attached	Plug Type	8oz cups/hr 236ml cups/hr	Input H <sup>2</sup> O Temp.	Phase	# Wires plus Ground	Hertz
220-240	11.5-12.5	2500-3000	Yes	UK 13A	-	60°F (15.5°C)	1	2	50/60

## Plumbing Requirements

PSI	kPa	Fitting Supplied	Water Flow Required (GPM)
20-90	138-621	3/4" BSPP	-

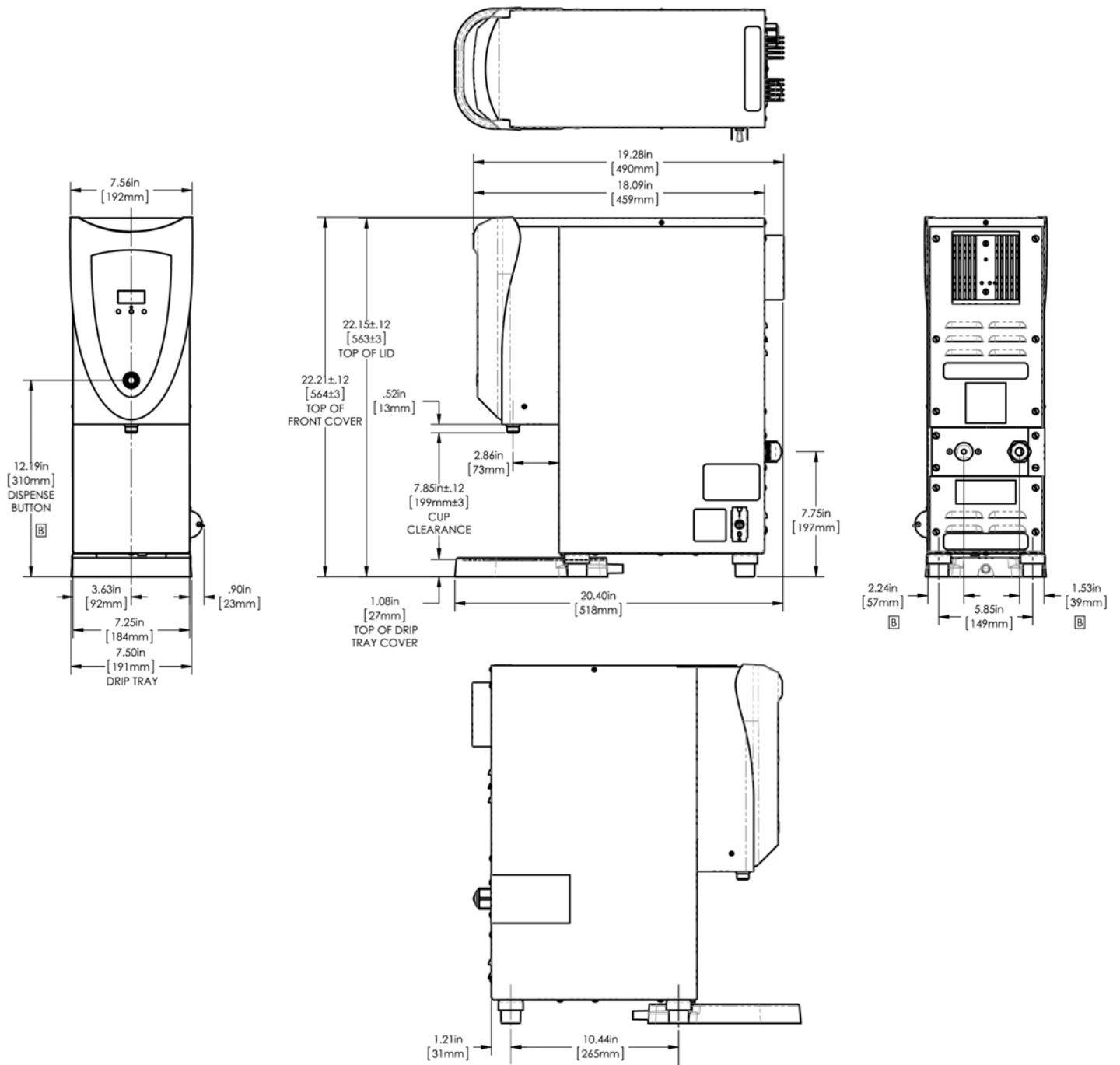
## CAD Drawings

2D	Revit	KLC
●		



BUNN® reserves the right to change specifications and product design without notice. Such revisions do not entitle the buyer to corresponding changes, improvements, additions or replacements for previously purchased equipment. For most current specifications and other info visit [bunn.com](http://bunn.com).

Created on:  
03/10/2016



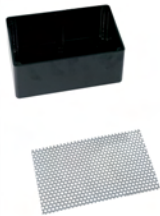
Unit			Shipping					
	Width	Height	Depth	Width	Height	Depth	Weight	Volume
English	7.6 in.	19.3 in.	22.3 in.	-	-	-	23.810 lbs	4.398 ft <sup>3</sup>
Metric	19.3 cm	49.0 cm	56.6 cm	-	-	-	10.800 kgs	0.125 m <sup>3</sup>



BUNN® reserves the right to change specifications and product design without notice. Such revisions do not entitle the buyer to corresponding changes, improvements, additions or replacements for previously purchased equipment. For most current specifications and other info visit [bunn.com](http://bunn.com).

Created on:  
03/10/2016

Related Products & Accessories:H3EA Element SST(45300.0000)



DRIP TRAY KIT, 2.25"HT  
OHW

Product #: 02497.0001

FOOT, RUBBER

Product #: 02547.0000



DRIP TRAY, BLACK

Product #: 02571.0000

COVER, DRIP TRAY-  
PERFORATED

Product #: 02572.0000



BUNN® reserves the right to change specifications and product design without notice. Such revisions do not entitle the buyer to corresponding changes, improvements, additions or replacements for previously purchased equipment. For most current specifications and other info visit [bunn.com](http://bunn.com).

Created on:  
03/10/2016

# Serving & Holding Options: H3EA Element SST(45300.0000)

\*Serving and Holding selections are currently unavailable. Please contact your sales representative to find out more information.\*



BUNN® reserves the right to change specifications and product design without notice. Such revisions do not entitle the buyer to corresponding changes, improvements, additions or replacements for previously purchased equipment. For most current specifications and other info visit [bunn.com](http://bunn.com).

Created on:  
03/10/2016